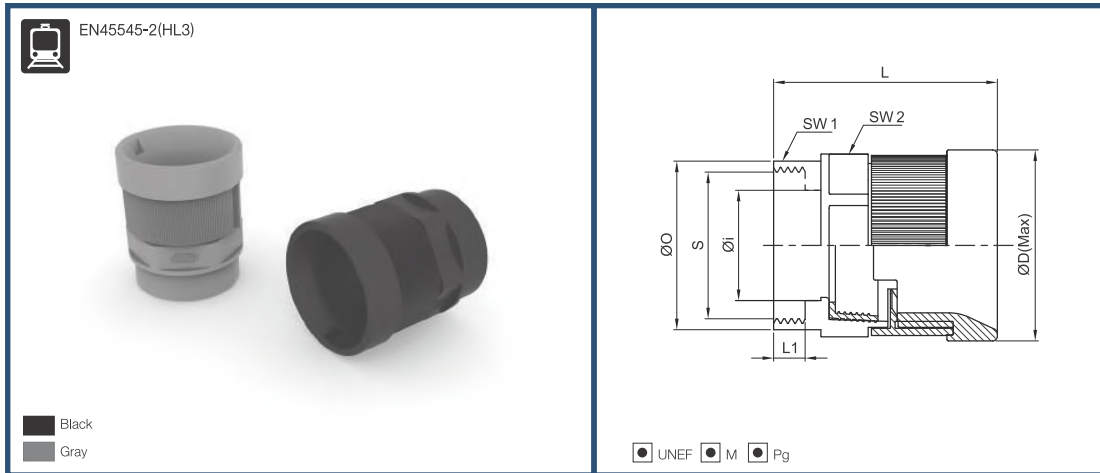



PIC IP68



- Material : High Quality Polyamide 6
- Degrees of Protection : IP 68 (EN 60529)
- The max, Instantaneous Temperature : -40°C to +105°C
- Short Term : up to +150° C
- Self-Extinguishing : UL94-HB / Free of Halogen Phosphorous and cadmium
- Color : Black & Gray
- Application : Machine tool, Shipbuilding, Tramway, Industrial / Automatic Machinery, Printing Machine etc. Joint box with connector
- Certification : 

» Product size



UNEF Thread (ASME B1.1)

Black	Gray	Thread	Tube Size	Shell Size	L1	L	Øi	ØO	ØD	SW
PIC-U1010B	PIC-U1010G	1/2-28UNEF	10	8S, 10S	10,0	45,4	9,0	18,4	25,2	20,0
PIC-U1210B	PIC-U1210G	5/8-24UNEF	10	10SL, 12S	10,0	45,4	9,0	20,6	25,2	20,0
PIC-U1410B	PIC-U1410G	3/4-20UNEF	10	14, 14S	10,0	45,4	9,0	24,0	25,2	20,0
PIC-U1212B	PIC-U1212G	5/8-24UNEF	12	10SL, 12S	10,0	43,8	11,0	20,6	27,6	22,4
PIC-U1412B	PIC-U1412G	3/4-20UNEF	12	14, 14S	10,0	43,8	11,0	24,0	27,6	22,4
PIC-U1812B	PIC-U1812G	1-20UNEF	12	18	10,0	43,8	11,0	31,0	27,6	22,4
PIC-U2012B	PIC-U2012G	1 3/16-18UNEF	12	20, 22	10,0	43,8	11,0	35,5	27,6	22,4
PIC-U1616B	PIC-U1616G	7/8-20UNEF	16	16, 16S	10,0	45,8	13,0	28,0	33,0	28,0
PIC-U1816B	PIC-U1816G	1-20UNEF	16	18	10,0	45,8	13,0	31,0	33,0	28,0
PIC-U2016B	PIC-U2016G	1 3/16-18UNEF	16	20,22	10,0	45,8	13,0	35,5	33,0	28,0
PIC-U2316B	PIC-U2316G	1 3/8-8UNEF	16	20,22	10,0	45,8	13,0	40,0	33,0	28,0
PIC-U2816B	PIC-U2816G	1 7/16-18UNEF	16	24, 28	10,0	45,8	13,0	42,0	33,0	28,0
PIC-U2222B	PIC-U2222G	1 3/16-18UNEF	22	20, 22	9,5	54,0	18,0	35,5	43,0	36,7
PIC-U2822B	PIC-U2822G	1 7/16-18UNEF	22	24,28	9,5	54,0	18,0	42,0	43,0	36,7
PIC-U3622B	PIC-U3622G	2-18UNS	22	36	9,5	54,0	18,0	56,5	43,0	36,7
PIC-U2828B	PIC-U2828G	1 7/16-18UNEF	28	24,28	10,0	62,2	25,0	41,5	48,8	42,7
PIC-U3228B	PIC-U3228G	1 3/4-18UNS	28	32	10,0	62,2	25,0	49,5	48,8	42,7
PIC-U3628B	PIC-U3628G	2-18UNS	28	36	10,0	62,2	25,0	56,5	48,8	42,7
PIC-U3636B	PIC-U3636G	2-18UNS	36	36	10,0	71,0	35,0	53,5	60,6	52,0

(Dimensions in mm)



Ordering No.



Metric Thread (EN 60423)

(Dimensions in mm)

Black	Gray	Thread	Shell Size	L1	L	ϕ_i	ϕ_O	ϕ_D	SW
PIC-M12B	PIC-M12G	M16 X 1.5	12	10.0	43.8	11.0	20.6	27.6	22.4
PIC-M226B	PIC-M226G	M25 X 1.5	16	10.2	46.0	13.0	35.5	33.0	28.0

Pg Thread (DIN 40430)

Black	Gray	Thread	Shell Size	L1	L	ϕ_i	ϕ_O	ϕ_D	SW
PIC-P11B	PIC-P11G	Pg11	12	10.0	43.8	11.0	20.6	27.6	22.4
PIC-P132B	PIC-P132G	Pg13,5	12	10.0	43.8	11.0	24.0	27.6	22.4
PIC-P16B	PIC-P16G	Pg16	16	10.0	45.8	13.0	28.0	33.0	28.0
PIC-P21B	PIC-P21G	Pg21	22	9.5	59.7	13.0	35.5	43.0	36.7

